



Miter Bar Drill Guide

For use with the ZeroPlay™ Miter Bar System

Use center punch, nail, or pin to mark centers of all 6 holes (M1, M2, M3, A1, A2, and A3).

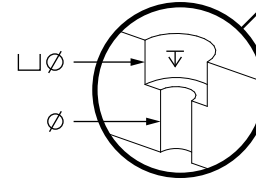
-OR-

Copy drawing at 1:1 scale to use as a template.

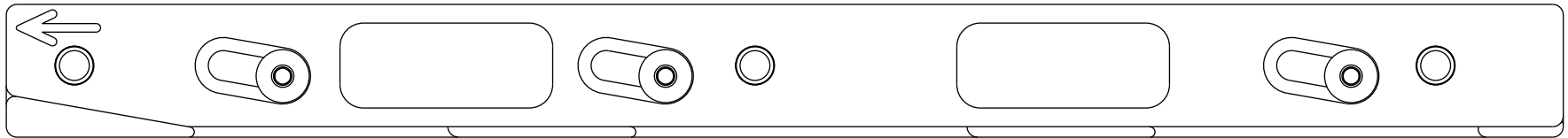
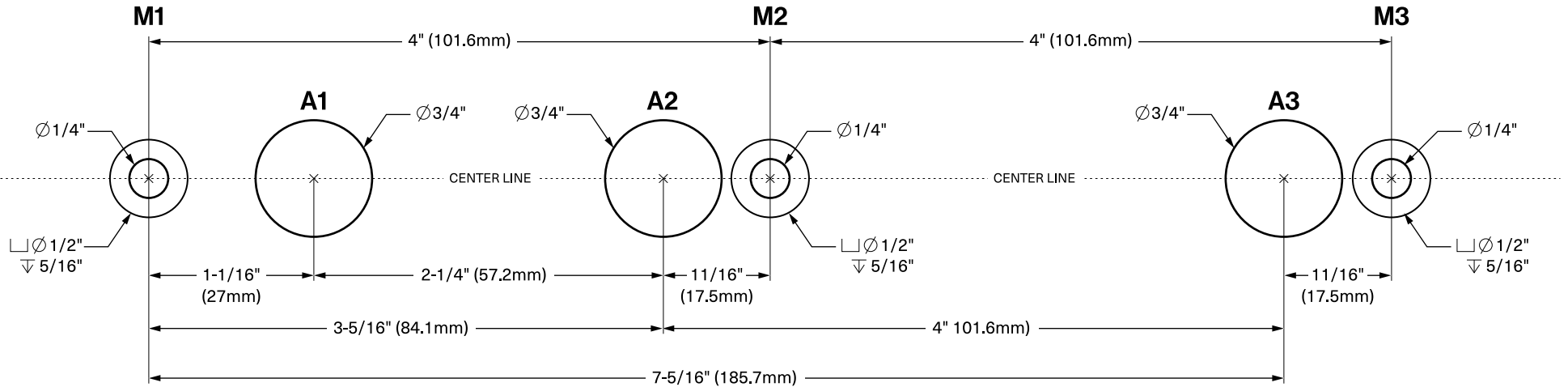
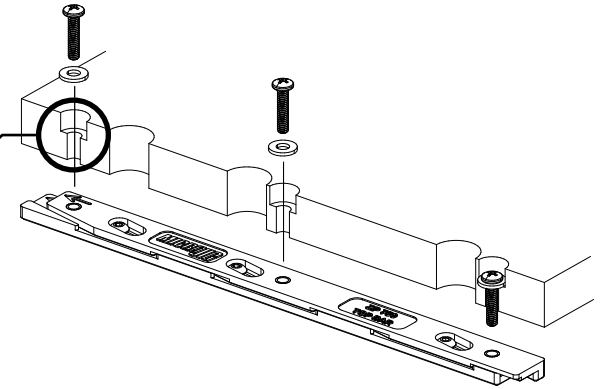
Download printable file at: microjig.com/zp-drill-guide

Permission granted to copy for personal use only. Micro Jig, Inc. © 2022

SYMBOL	HOLE TYPE
∅	Through hole
⌊∅	Counterbore
∇	Depth



M1 close-up



ZeroPlay™ Miter Bar [top-down view]



Inch Scale for Reference